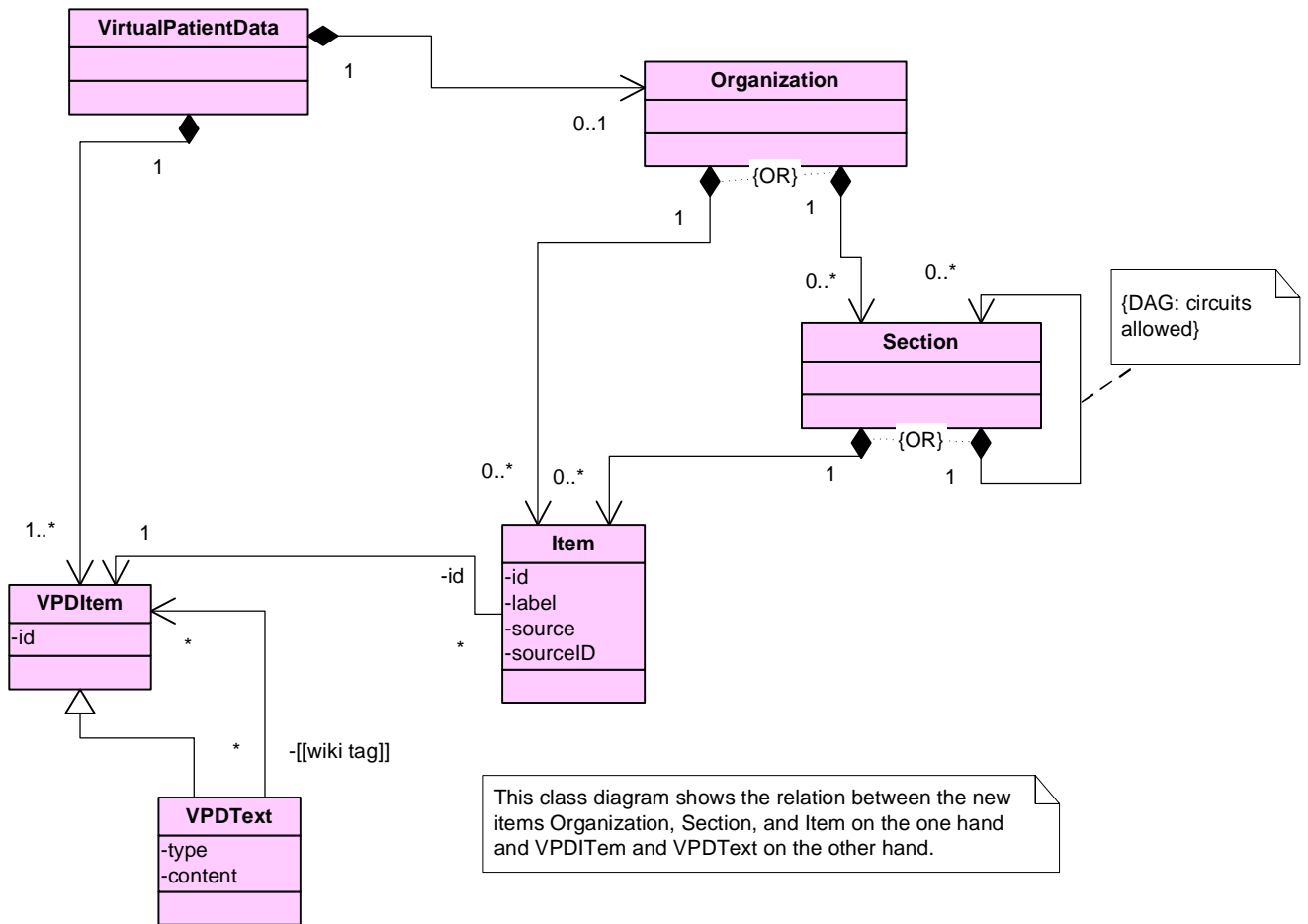
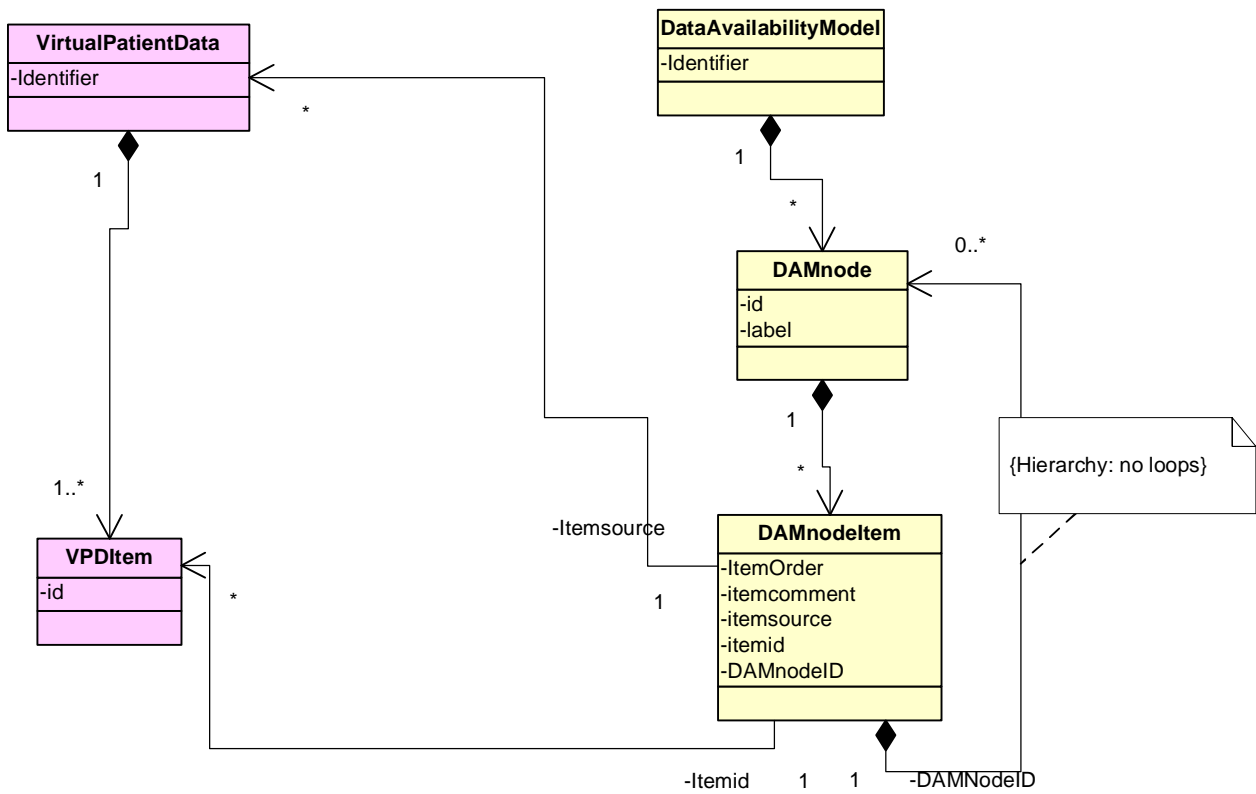
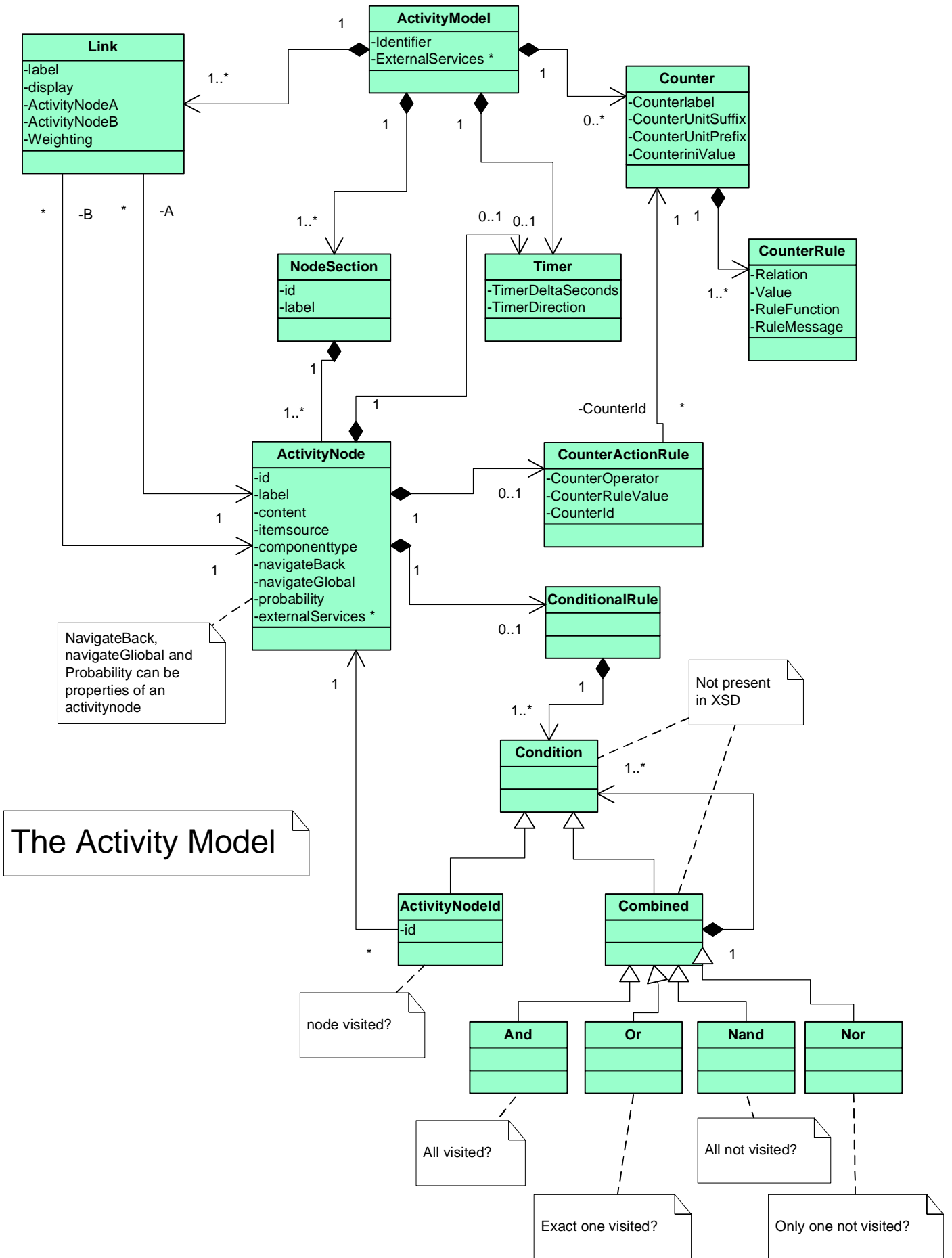


Virtual Patient Data (partial)



Relations between VPData and the Data Availability Model





Relations between VPD and DAM and AM

